

Dough Mixers

10 liter Spiral Dough Kneader, 1 Speed

ITEM # _____

MODEL # _____

NAME # _____

SIS # _____

AIA # _____


602276 (ESK10L)

10 lt spiral Dough Kneader, 1 speed (tool speed 88 rpm), on wheels

Short Form Specification

Item No. _____

Spiral dough kneader on wheels for pizzerias, bakeries and pastries. Ingredients are kneaded with a stainless steel spiral mixer arm synchronised with bowl rotation (motorized not removable bowl). Body is in painted steel, the 10 lt capacity bowl, the spiral mixer arm and dough breaker pin are in stainless steel. The safety screen allows ingredients to be added without stopping the machine. Equipped with a low voltage control panel with buttons and safety device to stop the machine when the protection screen is opened. 1 speed= 88 rpm - spiral arm, 10 rpm - bowl. Maximum dough capacity: 8 kg per cycle (max flour 5kg/cycle), with 60% hydration.

Main Features

- Spiral dough kneader with motorized bowl (not removable) and fixed head.
- Ideal for kneading pizza dough, bread or similar dough.
- One speed kneading (tool speed: 88 rpm, bowl speed: 10 rpm).
- Stainless steel (AISI304) squared dough breaker bar for fast and even kneading results
- Maximum kneading capacity: 8 kg per cycle (max flour 5kg/cycle), with 60% hydration.
- Minimum kneading capacity: 5 kg/cycle, with 60% hydration.
- Transparent protective screen to reduce flour dust release in the work area during kneading (EU EN453:2014) and to prevent dough contaminations.
- Safety device stops the appliance if the cover is opened.
- Equipped with 4 wheels, of which 2 with brakes, allowing to easily move the appliance for storage or cleaning.
- The appliance fits under standard kitchen worktops (see installation drawing).

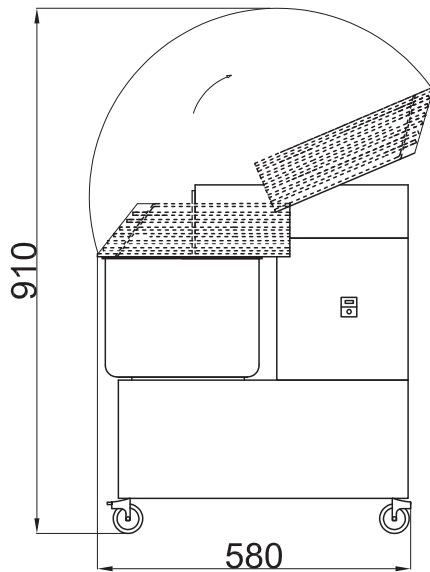
Construction

- Constructed in painted steel.
- AISI304 stainless steel bowl, spiral hook and dough breaker bar.
- IP54 protected control panel.
- IP23 for the appliance overall.
- Plug as standard (schuko type).

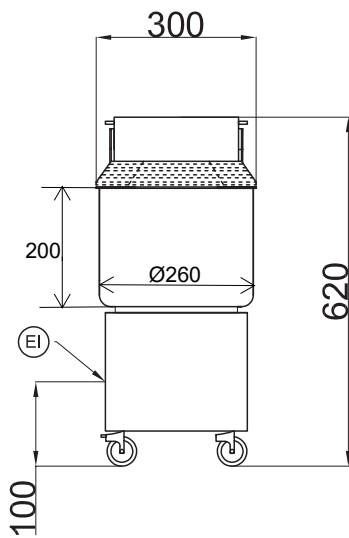
Optional Accessories

APPROVAL: _____

Side

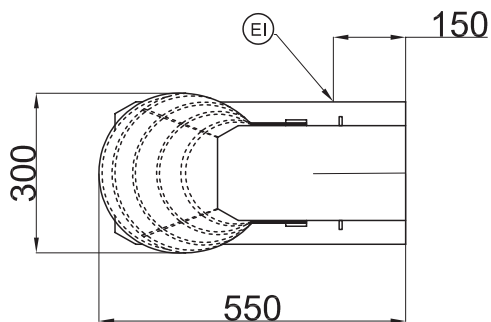


Front



EI = Electrical inlet (power)

Top



Electric

Supply voltage: 220-240 V/1N ph/50 Hz
Electrical power, default: 0.37 kW

Capacity:

Maximum kneading (60% hydration): 8 kg/Cycle

Key Information:

External dimensions, Width: 300 mm
External dimensions, Depth: 550 mm
External dimensions, Height: 620 mm
Shipping weight: 47 kg
Bowl capacity: 10 lt